

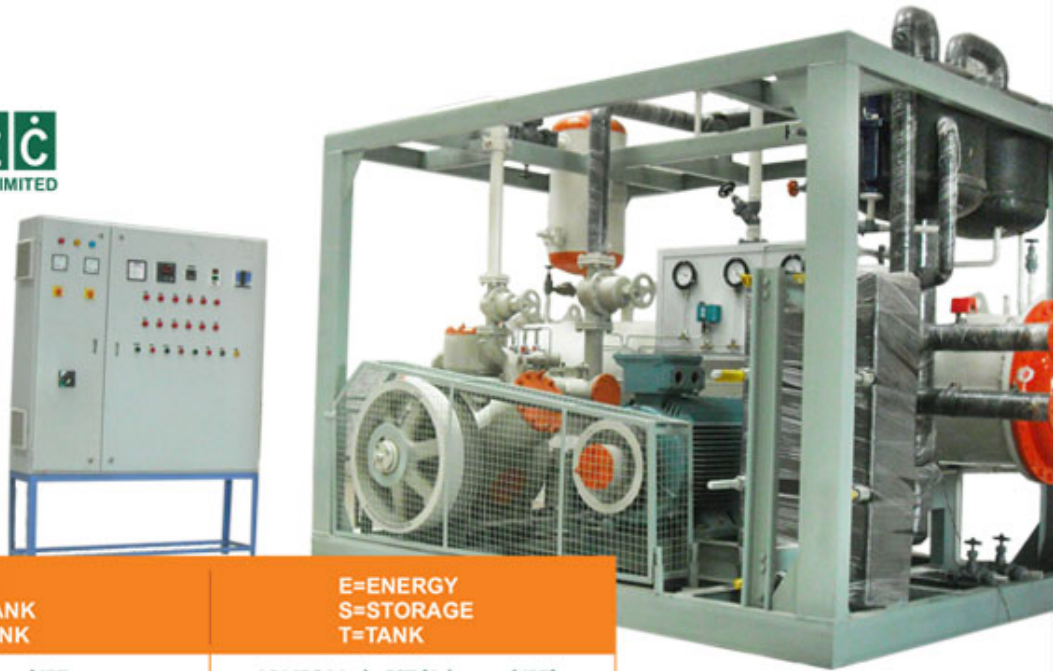
Want to reduce Milk Chilling cost ?



Expandable Skid mounted Ammonia Milk Chilling plant.

- ARMEC Chilling plant is **40 % Power saving** than Conventional I.B.T. Chilling Plant.
- Ready to Install, Portable, can be moved anywhere and also based on skid, so no need of foundation.
- Fully Automatic, No need of operator.
- Easy Operation, Maintenance Free, And 66 % Space saving then conventional IBT system.
- Oil return from oil separator is also automatic, so oil consumption is almost zero.
- Only 50 kg. Ammonia Gas Required.

Want to reduce Milk Chilling cost ?



I=ICE B=BANK T=TANK	E=ENERGY S=STORAGE T=TANK
Conventional IBT	ARMEC Made EST (Advanced IBT)
It is very essential to run ammonia chilling plant during milk collection time.	Once EST is charged completely no need to run the chilling plant.
Conventional IBT is fixed so you can't move that IBT.	ARMEC EST is movable, And you can install it at convenient place.
Conventional IBT requires Large space.	ARMEC EST requires very small space. (1/3 than conventional IBT.)
Every year conventional IBT's efficiency is reduces.	ARMEC EST will give constant performance.
Main reason for popularity of IBT is It stores energy at night or when power is there and gives energy when it requires.	ARMEC EST is run on Inverter principal It stores energy at night or when power is there and gives energy when it requires.
Conventional IBT is connected with refrigeration plant. (Inside Coil.)	ARMEC EST is without Inside coil.

**ARMEC MADE EST
(Energy Storage Tank.)
(patented *)**

Selection Chart

ARMEC MODEL	COMPRESSOR	RPM	MILK COLLECTION MORNING-EVENING	MOTOR H.P	With Advance IBT
AP-15000	PC-2	800	7500+7500	20	ARMEC MADE EST
AP-20000	PC-2	1000	10000+10000	25	ARMEC MADE EST
AP-25000	PC-2	1250	12500+12500	30	ARMEC MADE EST
AK-30000	KC-2	600	15000+15000	40	ARMEC MADE EST
AK-40000	KC-2	800	20000+20000	50	ARMEC MADE EST
AK-50000	KC-2	1000	25000+25000	60	ARMEC MADE EST

Want to Improve Milk Quality ?



BMC 5000 Liters And Above (Bulk Milk Cooler)	AREMC Online Ammonia Milk Chilling Unit
BMC design is fixed, so there is limitation for storage of milk.	ARMEC online chilling plant design is expandable. There is very good flexibility of storage of milk. (Eg.5000 liters of ammonia milk chilling plant can expand up to 25,000liters). And one time investment.
Whenever milk quantity increases you have to buy new BMC.	ARMEC chilling plant is expandable, so don't need to buy New chilling plant every time. (Eg.5000 liters of ammonia milk chilling plant can expand up to 25,000 liters).
Quality of milk deteriorate/decay by delay.	ARMEC chilling plant is online, so no issue of deteriorations of milk and also improves quality of milk.
In BMC refrigeration Unit is connected with Milk storage tank	In ARMEC made online chilling plant Unit is separate so you can attach Multiple milk storage tanks.
Fully automatic, not required any operator.	Fully automatic, not required any operator.
BMC is good from 500 to 2000 liters.	ARMEC also suggests BMC till 2000 liters. ARMEC chillers start From 5000 liters.

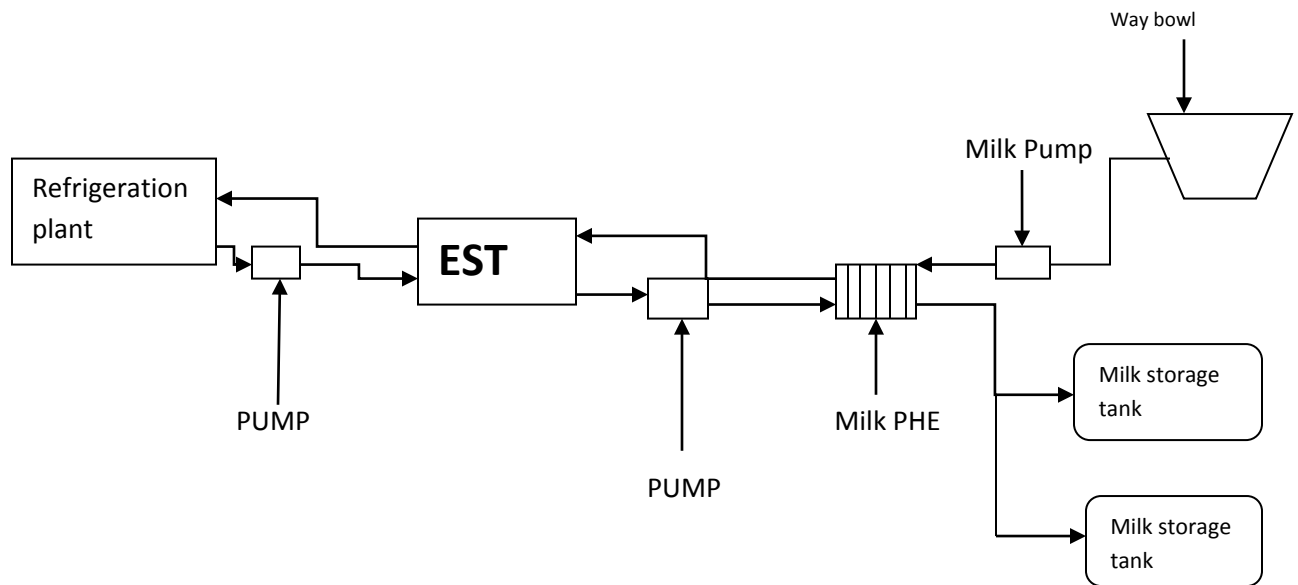


Pune Office:
303, Dhanganga Business Center,
Near Ganga dham Phase 1, Market Yard,
Pune (Maharashtra) INDIA.
Phone: 8805656222, 8805656333
E-mail: armec_cooling_pune@yahoo.com

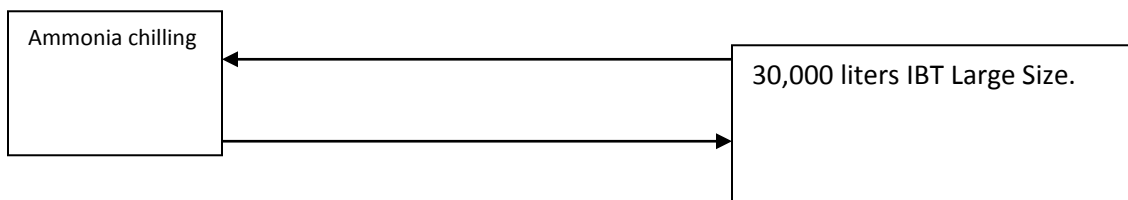
Factory:
7, Panchratna Industrial Estate, Part II,
Nr. Laxminarayan Petrol Pump, Sarkej-Bavla Road,
Changodar, Dist. Ahmedabad (Gujarat) INDIA.
Phone: 07926621571, 07926631572
09824057447, 09998145866

Website: www.chillingplants.com

ARMEC COOLING SYSTEM LIMITED



- 1) Charging of multiple EST is possible.
For example when one EST is Discharging It takes 3-4 Hours At that time charging of other EST can be done (alternately).
- 2) When Milk is less we can use only one EST and Can complete milk chilling.
- 3) Right now in conventional chilling plant we have to chill whole IBT even milk is less. So held in Huge Amount of power losses Because of that per liter milk chilling cost is increases.
- 4) 10,000 liters of EST can Chill 30,000 liters of milk at a time.



ARMEC COOLING SYSTEM LIMITED

Subject: - Per liter Milk Chilling Cost

Dear, Sir

We have made Energy consumption comparison Chart between Conventional IBT chilling plant and Armec Made Advance IBT/EST chilling plant. Please have a look and give your Expert opinion.

PER LITER CHILLING COST ANALYSIS									
IBT				ADVANCED IBT/EST					
I.B.T.		LPD	10000	5000	ARMEC ADVANCED IBT/EST		LPD	10000	5000
S.NO	PARTICULAR	AMOUNT	COST/LIT. RS.		S.NO	PARTICULAR	AMOUNT	COST/LIT. RS.	
	CAP.UTILISATION		100%	50%		CAP.UTILISATION		100%	50%
1	COST	2300000.0			1	COST	2000000.0		
2	CIVIL WORK				2	CIVIL WORK	0		
A	COMPRESSOR	50000.0			A	COMPRESSOR	0		
B	RECEIVER	50000.0			B	RECEIVER	0		
C	IBT	100000.0			C	IBT	0		
D	CONDENSOR TANK	300000.0			D	CONDENSOR TANK	0		
	TOTAL	500000.0				TOTAL	0.0		
	GRAND TOTAL	2800000.0				GRAND TOTAL	2000000.0		
3	MAINTANANCE				3	MAINTANANCE			
A	LABOUR	10000.0			A	WATER SOFTNING CHEM.	5000.0		
B	OIL	30000.0			B	OIL	0.0		
C	GAS	10000.0			C	GAS	0.0		
	TOTAL	50000.0	0.01	0.03	D	TOTAL	5000.0	0.001	0.003
4	OPERATOR				4	OPERATOR			
	2*6000	12000.0	0.04	0.08		NOT REQUIRED	0.0	0	0
5	ELECTRICITY				5	ELECTRICITY			
	RUNING HOUR 20	20				RUNING HOUR 8	8		
A	COMP. 20HP	2200			A	COMP. 20HP	880		
B	IBTAGITATOR 5HP	550			B	C.TOWER PUMP 3 HP	132		
C	CON D.PUMP 5HP	550			C	C.TOWER FAN 2 HP	88		
	TOTAL	3300	0.33	0.50		TOTAL	1100	0.11	0.11
	TOTAL COST/LIT		0.38	0.60		TOTAL COST/LIT		0.11	0.11

ARMEC COOLING SYSTEM LIMITED

Introduction Letter

REF: ASO/01/12

Kind Attn: Procurement/Project/Purchase/Maintenance

Sub:Vender registration (40 % power saving Ammonia refrigeration plant.)

Dear Sir ,

With reference to above subject dairy industries are in very critical situation and day by day fuel costs (diesel cost and electricity) are increasing which are not in our In dairy industry refrigeration takes care of major power consumption, so even if 20 % is saving then it is worth it is very big amount of saving. Nowa days there is essential demand of efficient refrigeration plant and there is also need to have less maintenance, without operator, and power saving refrigeration plat.

ARMEC COOLING SYSTEM have specialty in designing of Less maintenance, without operator, 40 % power saving and skid mounted refrigeration system specially for chilling center/collection center.

Please find attached catalog.

Thanks and regards,

ARMEC CUSTOMER CARE.